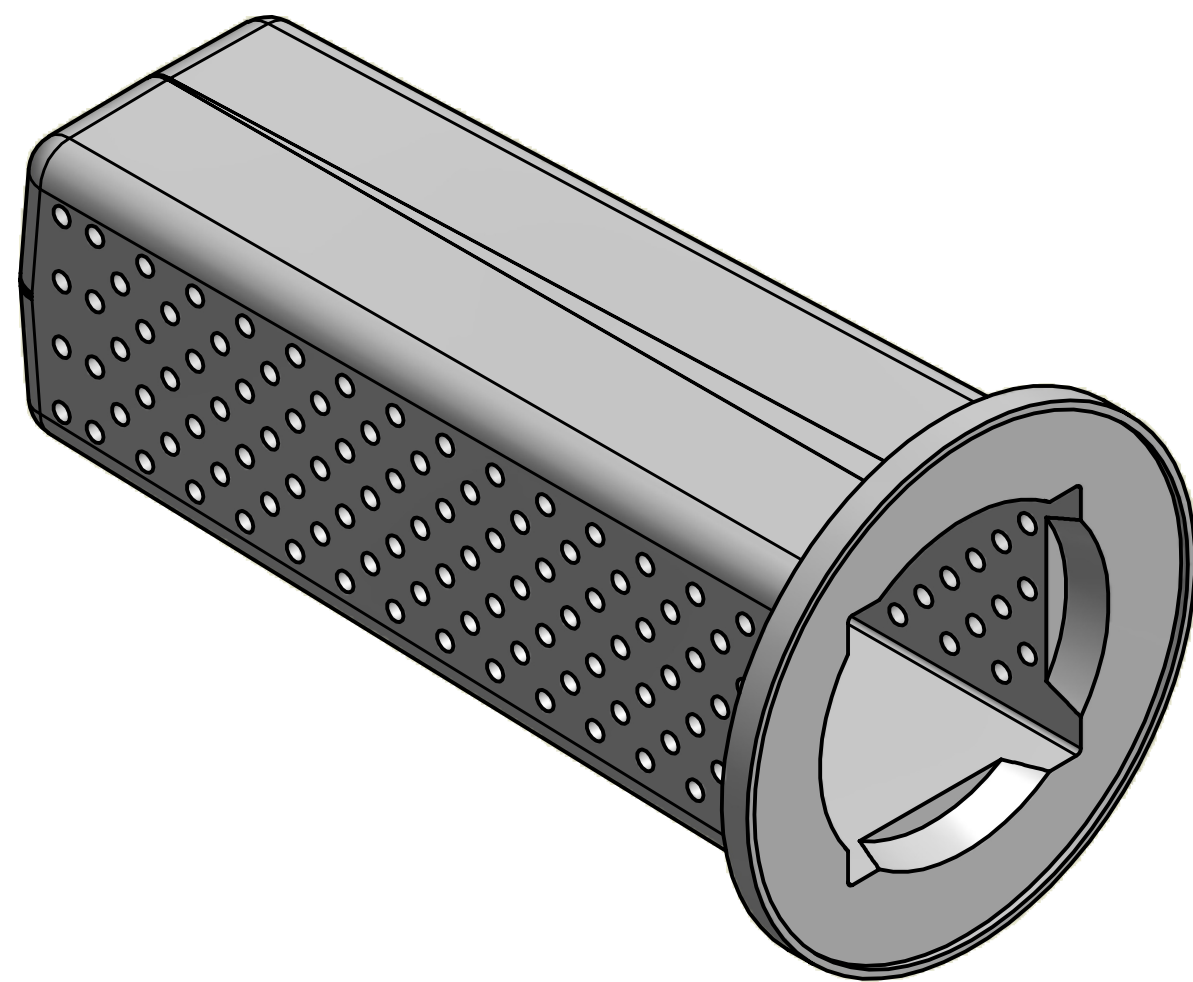
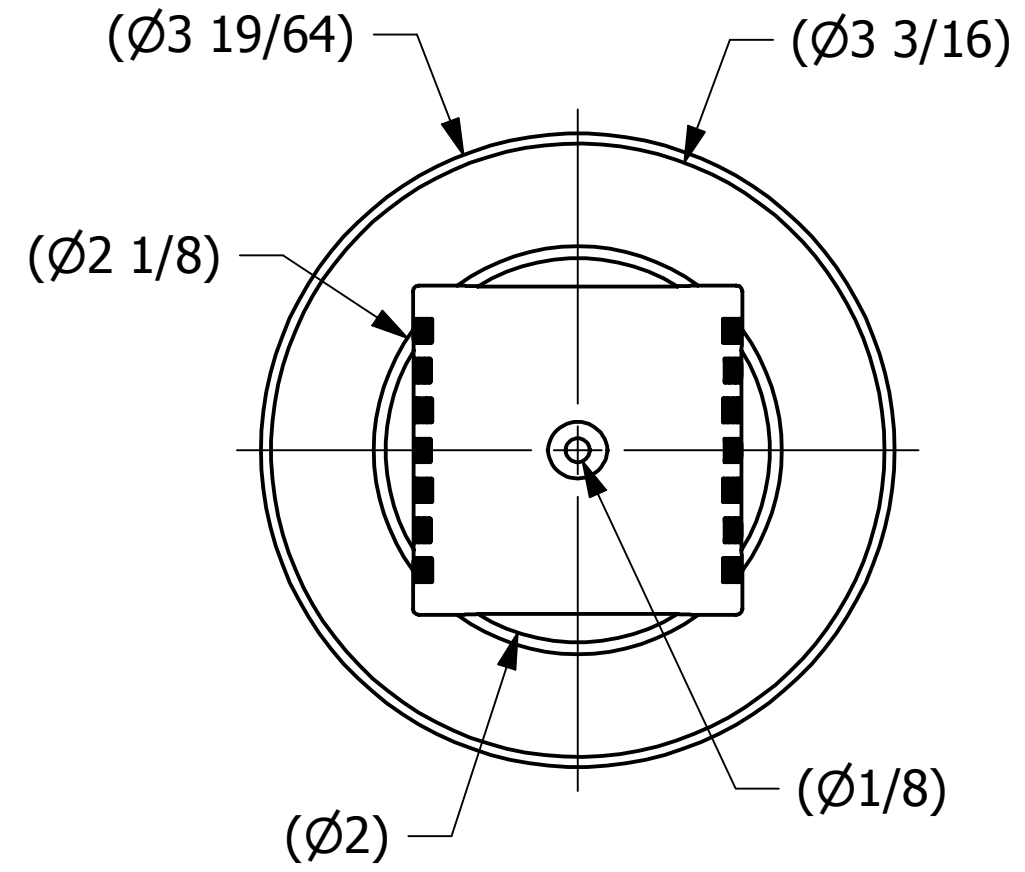
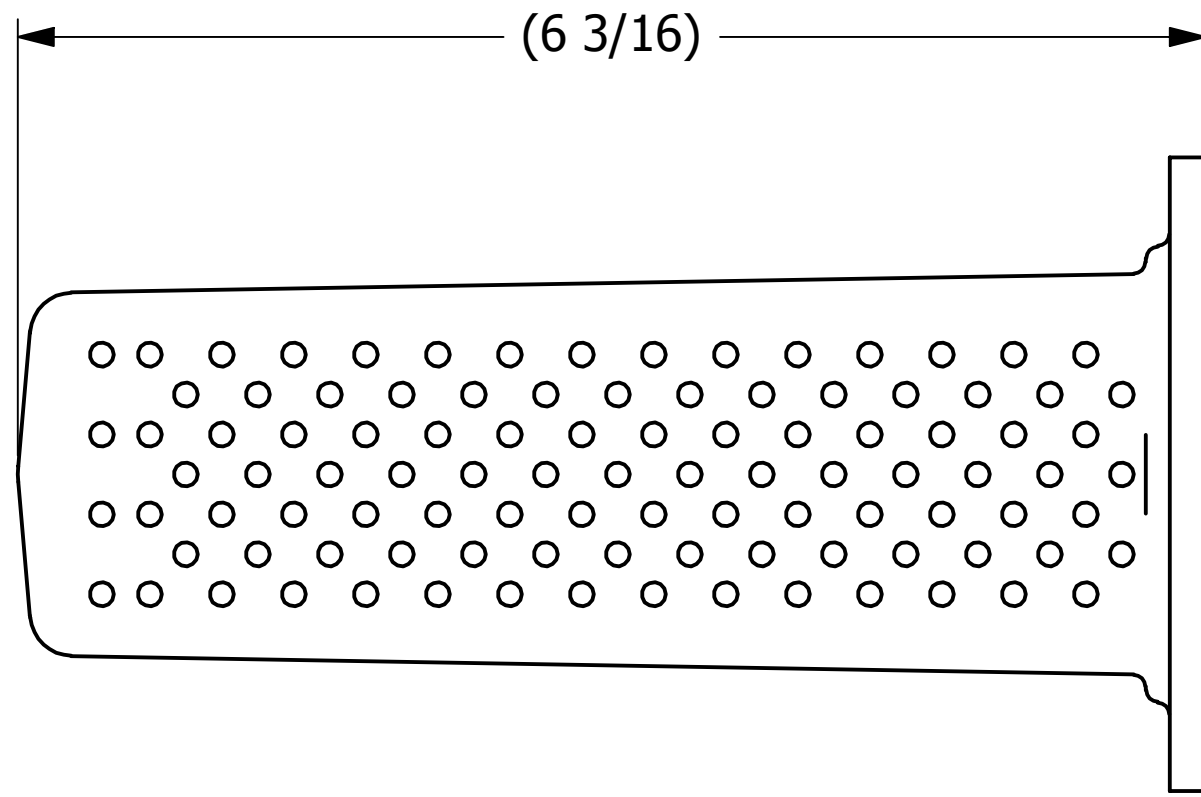


SALES DRAWING

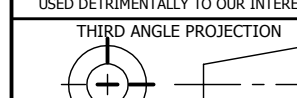
SALES DRAWING



ISOMETRIC VIEW

L	TAJ	3-4-11	CAHNGED AAR APPROVAL NUMBER
K	CHL	5-4-09	REMOVED CHART & ADDED QAP4F-1
REV	BY	DATE	DESCRIPTION

<small>UNLESS OTHERWISE SPECIFIED DIMENSIONAL TOLERANCES</small> FRACTIONAL: $\pm 1/16$ X.XX: $\pm .03$ X.XXX: $\pm .015$ ANGLE: $\pm 1^\circ$	DRAWN BY:	BRW
	CHECKED BY:	VD
	PROTOTYPE BY:	BRW
	PROTOTYPE DATE:	10/27/1995
<small>THIS PRINT, PROPERTY OF SALCO PRODUCTS INC, CONTAINS PROPRIETARY INFORMATION AND MUST NOT BE COPIED, REPRODUCED, OR USED DETRIMENTALLY TO OUR INTEREST.</small>	APPROVED FOR PRODUCTION BY:	BRW
	PRODUCTION DATE:	10/27/1995



PART NAME: SURGE PROTECTOR		
MATERIAL: WHITE NORYL		
PROJECT #:	SHEET #: 1 OF 1	SCALE: 1:1
DRAWING #: C7727	PART #: DSP3313	